

TicketFlex Maximizer™

WITH EXTERNALLY CONTROLLED PERMANENT BONUS

Model TFB1-PB

Installation & Operation Instructions

Enable Permanent Bonus in the less busy times & boost the traffic in your Arcade.

- | | |
|--|--------------------------------------|
| ? Increase or Decrease the Ticket Payout | ? No Tickets of Ticket Jam Indicator |
| ? Externally Controlled Bonus Mode | ? Ticket Dispenser Test Mode |
| ? Easy Plug –In installation | ? Zero Tickets Mode |
| ? Ticket Meter Output | ? Small size – fits everywhere |

Operation Modes

MULTIPLY

Adjust the dip switch to multiply tickets by 1 to 15.

DIVIDE

Adjust dip switch to divide tickets by 1 to 15.

BONUS MODE – DOUBLE TICKETS

Make your games more desirable in the less busy times and boost the traffic in your arcade.

This mode works in combination with the “Multiply” or “Divide” mode. If enabled, the Bonus Light will be flashing and players will receive double amount of tickets as long as the mode is enabled. This mode can be enabled by Dip Sw. 5 or via an external switch connected to the opto isolated input of the JST12 connector (Dip SW 5 must be set to OFF). Several machines can be controlled by one external switch.

DISPENSER TEST

Switch the machine OFF, adjust dip switches 1 to 6 for Dispenser Test and switch the machine ON. 5 tickets will be dispensed and the PCB LED and the Bonus Light will flash 2x at successful completion of the test. The LED and Bonus Light will stay “ON” if there is an ERROR!

ZERO TICKETS MODE

Zero Tickets Mode allows operation of ticket redemption machines without dispensing tickets.

CLEARING ERROR

An error will occur when the machine runs out of tickets or the ticket dispenser jams or the ticket notch opto sensor is not functioning. The PCB LED and the Bonus Light (if connected) will stay ON. Clean the opto sensor of the ticket dispenser with a paint brush, remove jams, reload tickets. The unit will automatically reset and resume normal operation.

LED or External Light

On power up or after clearing ERROR the number of flashes indicate selected mode.

Number of flashes	MODE
1	DISPENSER TEST
2	DIVIDER
3	MULTIPLIER
4	DIVIDE WITH BONUS
5	MULTIPLY WITH BONUS

Dip Switch

Adjust dip switches while the machine is switched off!

ADJUST TICKETS

Multiply/Divide by	Sw1	Sw2	Sw3	Sw4
1	OFF	ON	ON	ON
2	ON	OFF	ON	ON
3	OFF	OFF	ON	ON
4	ON	ON	OFF	ON
5	OFF	ON	OFF	ON
6	ON	OFF	OFF	ON
7	OFF	OFF	OFF	ON
8	ON	ON	ON	OFF
9	OFF	ON	ON	OFF
10	ON	OFF	ON	OFF
11	OFF	OFF	ON	OFF
12	ON	ON	OFF	OFF
13	OFF	ON	OFF	OFF
14	ON	OFF	OFF	OFF
15	OFF	OFF	OFF	OFF

SET MODE

Bonus Mode	Sw5
Disabled	OFF
Enabled	ON

Divide/Multiply	Sw6
Divide	OFF
Multiply	ON

Zero Tickets					
Sw1	Sw2	Sw3	Sw4	Sw5	Sw6
ON	ON	ON	ON	OFF	ON

Dispenser Test					
Sw1	Sw2	Sw3	Sw4	Sw5	Sw6
ON	ON	ON	ON	OFF	OFF

Setting the Input and Output to suit the ticket dispenser

The Ticketflex Maximizer is supplied preset for the Deltronic 1275, Entropy TD963CR or compatible Ticket dispenser.
Dip Sw 7 = ON, Dip Sw 8 = OFF, JUMPER = DOWN

The input and output can be set independently to suit other styles of Ticket Dispensers and various machines.

Dip Switch

Input	Sw7
Pulse Operation	OFF
Continuous Operation	ON

Output	Sw8
Pulse Operation	ON
Continuous Operation	OFF

Continuous Input Operation (Deltronic 1275 compatible)

The ticket drive input (pin 3 of the 8 Way JST connector) must be driven "high" to initiate ticket dispensing. The Ticketflex Maximizer will output ticket notch pulses for the host game (pin 1 of the 8 Way JST connector).

Pulse Input Operation (Deltronic DL 4 compatible)

In the Pulse Input Operation the ticket drive input must be pulsed "low" to initiate ticket dispensing. The notch output is not used.

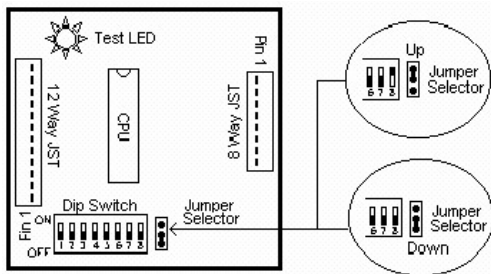
Continuous Output Operation (Deltronic 1275 compatible)

The ticket drive output (pin 2 of the 8 Way JST connector) is driven "high" to initiate ticket dispensing. The ticket notch feedback from the dispenser is required. The Jumper Selector must be "Down".

Pulse Output Operation (Deltronic DL 4 compatible)

The ticket drive output is pulsed "low" to initiate ticket dispensing (Jumper Selector must be "UP"). The ticket notch feedback is not utilized. The ticket dispenser will dispense one ticket for each pulse received.

Jumper Selector (Inverts Drive Output Voltage Level)



"UP" for active LOW Open Collector Ticket Drive Output (Used with DL4 Ticket Dispenser).

"DOWN" for active HIGH Ticket Drive Output. (Used with DL1275 Ticket Dispenser).

Important Notes

- ? To minimize the likelihood of damage by electrostatic discharge it is recommended that the ticket dispenser body is connected to the protection earth.
- ? The rating of the 12V Globe for the external Bonus Light is 10W Max.
- ? The standard harness supplied with the Ticketflex Maximizer provides all the required connections for the Multiplier or Divider mode. All other connections (e.g. Ticket Meter & External Light) are optional.

The Standard Harness Supplied with the Maximizer

(For connection to Deltronic 1275 or Entropy TD963CR Ticket Dispenser).

4 WAY UTILIX (MALE) CONNECTOR
Connected to the ticket dispenser.

PIN	Description	Wire
1	Notch Input	Blue
2	GND	Black
3	Tick. Drive Output	White
4	+12V	Orange

4 WAY UTILIX (FEMALE) CONNECTOR
Connected to the machine.

PIN	Description	Wire
1	Notch Output	Blue
2	GND	Black
3	Game Drive Input	White
4	+12V	Orange

12 WAY JST CONNECTOR (PCB)

PIN	Description
1	- Enable Permanent Bonus
2	- Enable Permanent Bonus
3	GND (Out)
4	+ Enable P. Bonus 5-30V
5	+12 V (Out)
6	+12 V (Out)
7	Lamp Output
8	Lamp Output
9	Ticket Meter Output
10	- Opto Ticket Drive
11	+Opto Ticket Dr 5-30V
12	+Opto Ticket Dr 14-60V

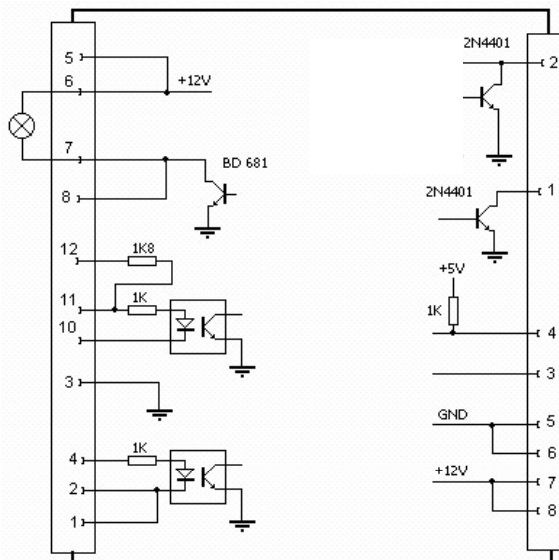
Ticket Meter

Connect Ticket Meter between pin 5 and 9 of JST 12 connector.

Bonus Light

Connect Bonus Light between pin 6 and 7 of JST 12 connector.

Ticketflex PCB Connector Pinout



8 WAY JST CONNECTOR (PCB)

PIN	Description
1	Notch Output
2	Tick. Drive Output
3	Tick. Drive Input
4	Tick. Notch Input
5	GND Out
6	GND In
7	+12V Out
8	+12V In (9 to 14V)

For On-Line Help and application notes visit:
www.ticketflex.com