

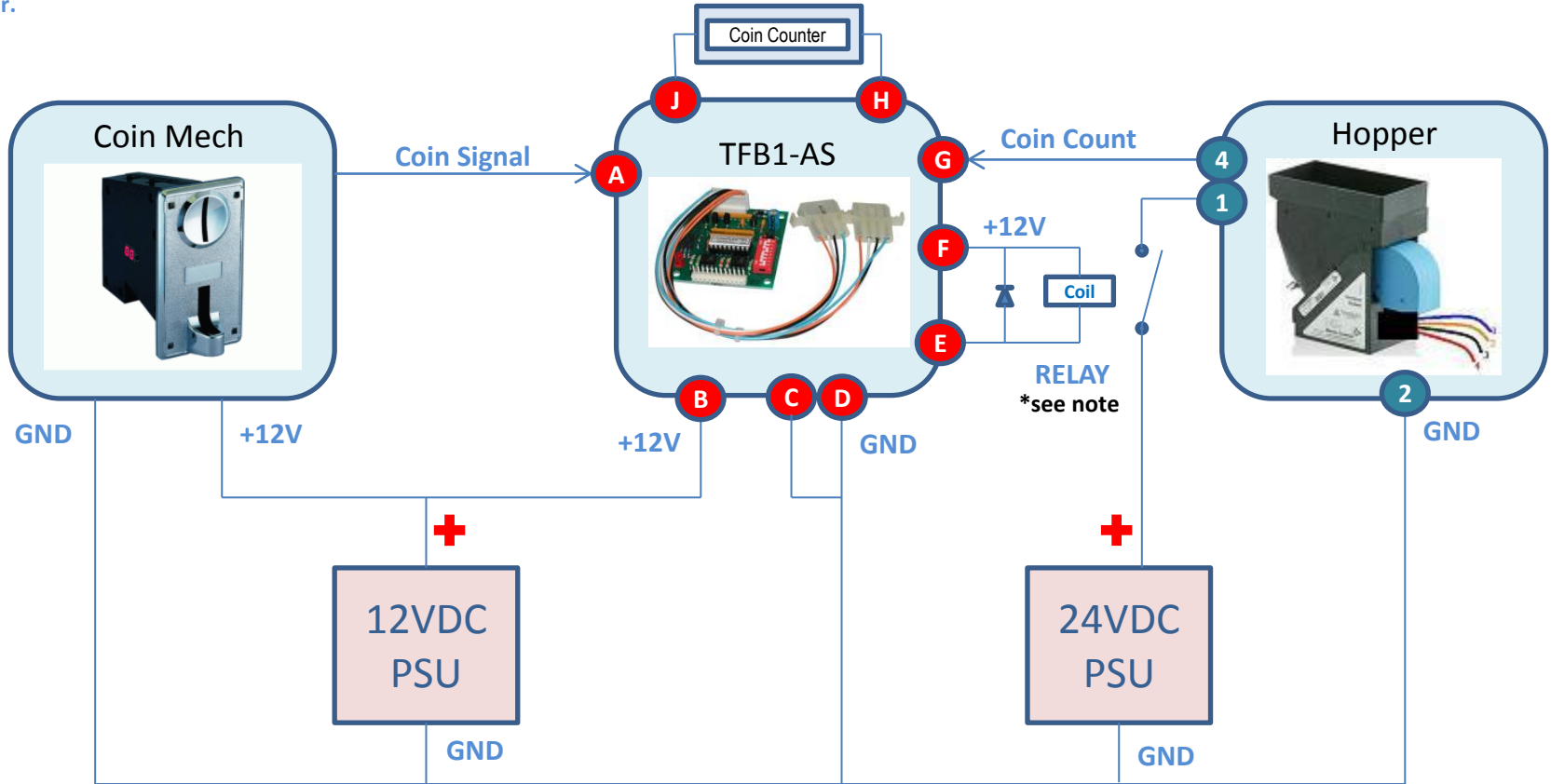
Ticketflex Universal Hopper Controller TFB1-AS

An example of a connection to the Money Controls Compact Hopper.

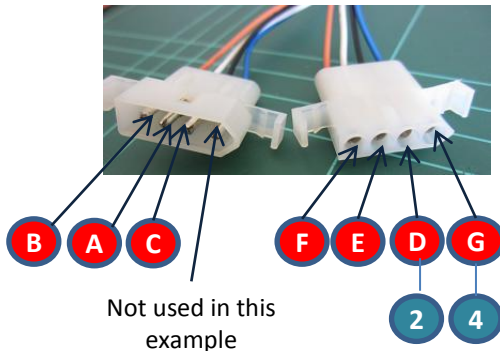
Buy on-line

Email Us

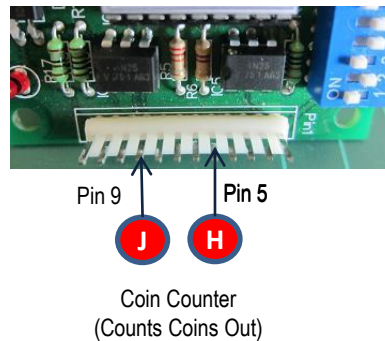
Get the latest on Twitter



Ticketflex Harness



12 Way JST Connector



Dip Switch & Jumper Setting

- SW 1 to 4 – adjust coin payout
- SW 5 – Time Bonus OFF/ON
- SW 6 – Divide/Multiply
- SW 7 – OFF
- SW 8 – OFF

See the Instruction Sheet for more details.

JUMPER = ALWAYS UP (further away from the edge of the board)

Hopper Connector

- 1 Positive Supply & Motor Control 24V or 12V depending on Model #
- 2 GND
- 3 Opto Supply – Not used in this example
- 4 Coin Count Output

***NOTE: Install a diode across the relay coil. See more notes!**