

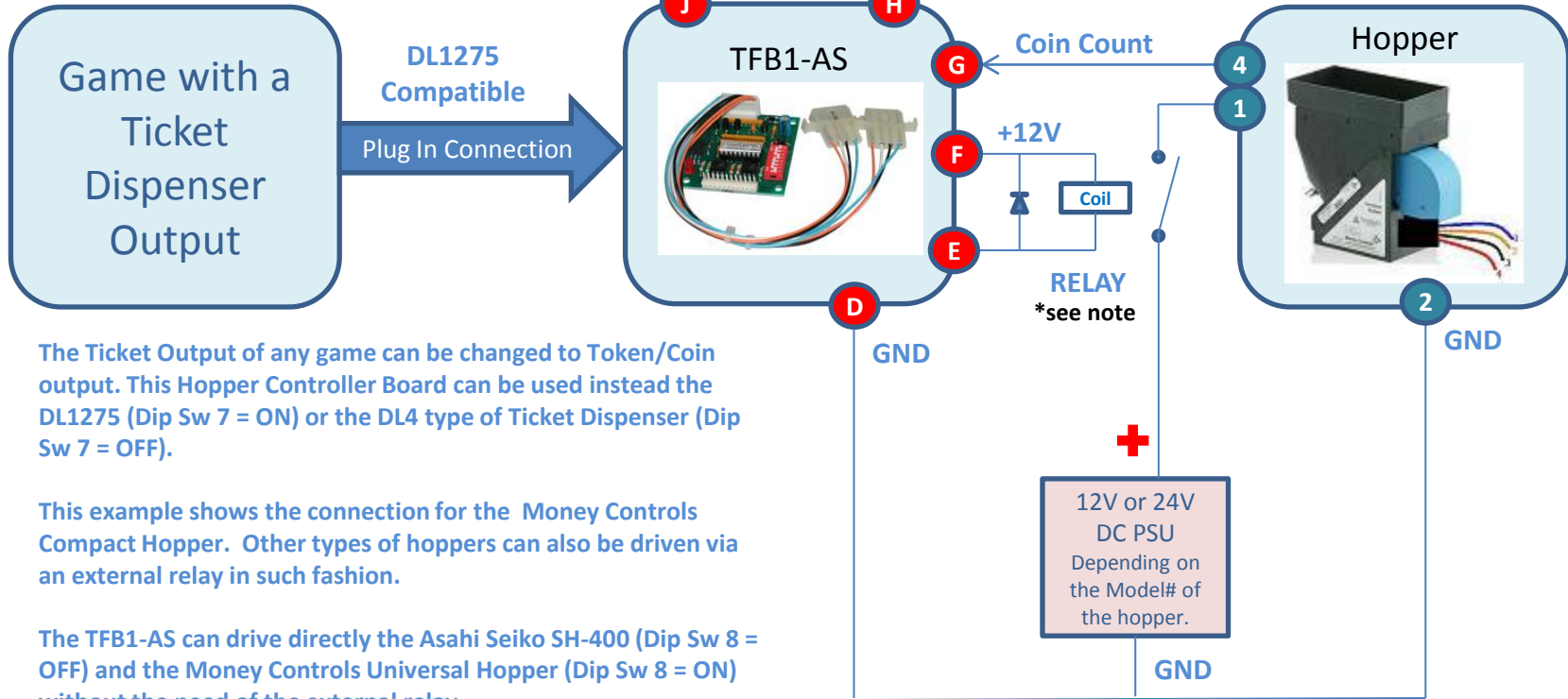
Ticketflex Universal Hopper Controller TFB1-AS

Convert Tickets to Coins/Tokens

Buy on-line

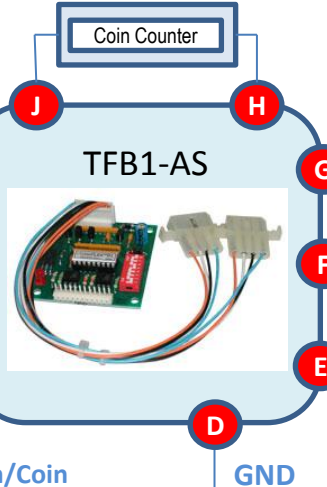
Email Us

Get the latest on Twitter



Game with a Ticket Dispenser Output

DL1275 Compatible
Plug In Connection



Money Controls Compact Hopper.

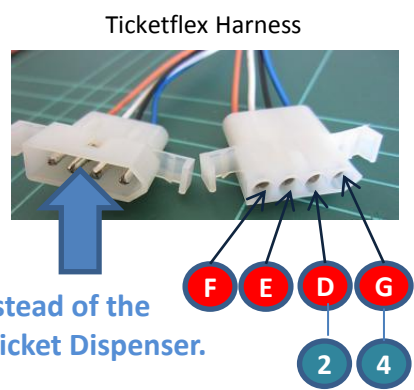


The Ticket Output of any game can be changed to Token/Coin output. This Hopper Controller Board can be used instead the DL1275 (Dip Sw 7 = ON) or the DL4 type of Ticket Dispenser (Dip Sw 7 = OFF).

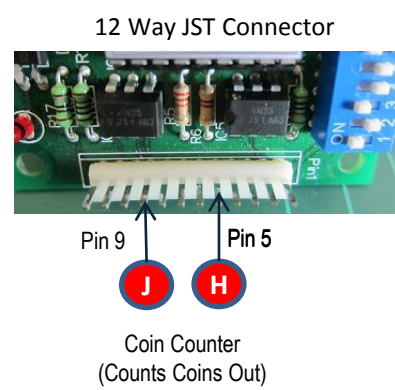
This example shows the connection for the Money Controls Compact Hopper. Other types of hoppers can also be driven via an external relay in such fashion.

The TFB1-AS can drive directly the Asahi Seiko SH-400 (Dip Sw 8 = OFF) and the Money Controls Universal Hopper (Dip Sw 8 = ON) without the need of the external relay.

12V or 24V DC PSU
Depending on the Model# of the hopper.



Plug in instead of the DL 1275 Ticket Dispenser.



Dip Switch & Jumper Setting

- SW 1 to 4 – adjust coin payout
 - SW 5 – Time Bonus OFF/ON
 - SW 6 – Divide/Multiply
 - SW 7 – ON (DL1275 Mode)
 - SW 8 – OFF
- [See the Instruction Sheet for more details.](#)

JUMPER = ALWAYS UP (further away from the edge of the board)

Hopper Connector

- 1 Positive Supply & Motor Control 24V or 12V depending on Model #
- 2 GND
- 3 Opto Supply – Not used in this example
- 4 Coin Count Output

***NOTE: Install a diode across the relay coil. See more notes!**